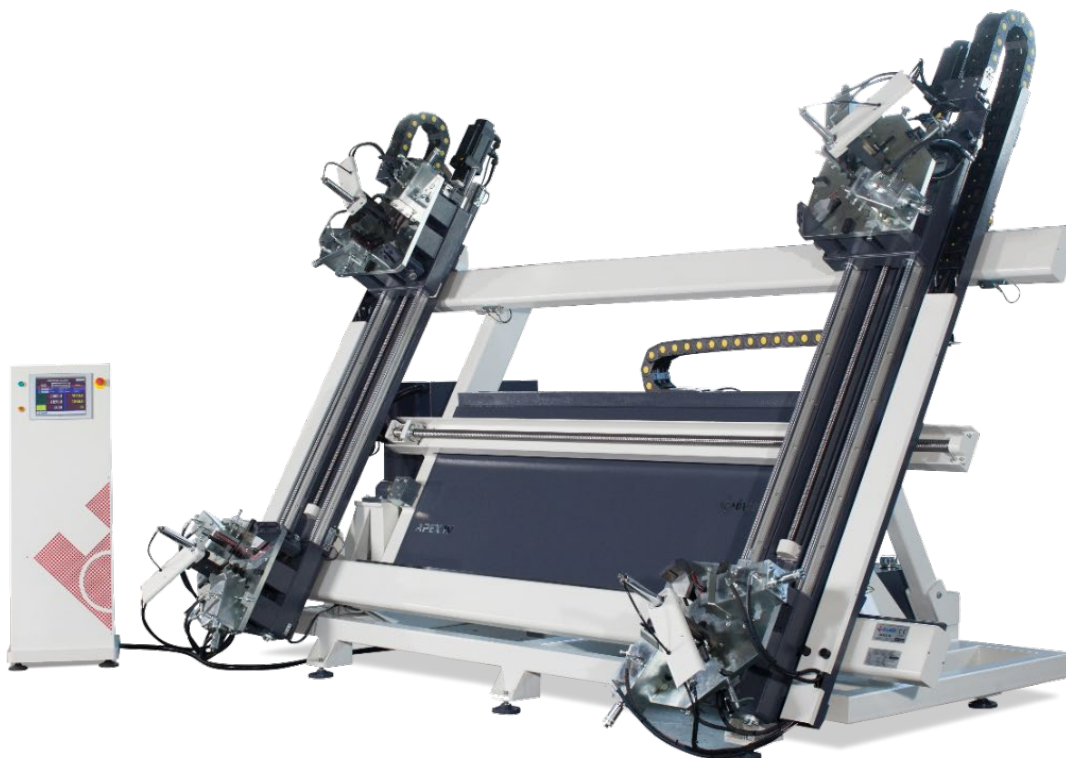


APEX - IV

Automatic Hydraulic Four Head Aluminum Corner Crimping Machine



FEATURES

APEX - IV features simultaneous assembling of all 4 corners of the profile by combining the precision of servo measuring and power of hydraulic system to offer quick solutions to users.

APEX - IV enables a seamless corner assembling process by minimizing user errors thanks to the two-stage hydraulic pressure system.

PROFILE SIZES

Minimum profile length	20 1/4" (515mm) - 20 1/4" (515mm)
Maximum profile length	78 3/4" (2000mm) - 133 7/8" (3400mm)

CRIMPING BLADES

Travel distance	1 9/16" (40mm)
Distance between blades	3 15/16" (100mm)
3/16" (5mm) crimping blade set	8 pcs
1/4" (7mm) crimping blade set	8 pcs

POSITIONING SPEED

X Axis (Longitudinal)	49 feet (30m)/min
Y Axis (Lateral)	49 feet (30m)/min

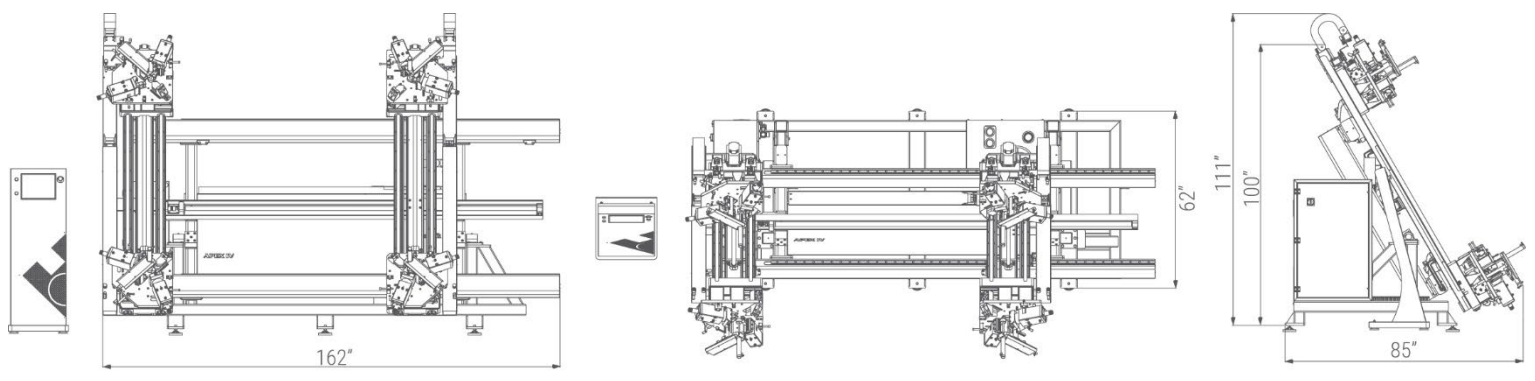
OPERATIONAL AREA

Safe working area with safety barrier	●
Touchscreen control panel	●
Barcode reader	○

The product data, descriptions and illustrations are shown for advertising purpose in this document and Oz Machine, reserves the right to make modifications or improvements on data, descriptions and illustrations on this document without prior notice.

APEX - IV

Automatic Hydraulic Four Head Aluminum Corner Crimping Machine



The product data, descriptions and illustrations are shown for advertising purpose in this document and Oz Machine, reserves the right to make modifications or improvements on data, descriptions and illustrations on this document without prior notice.