

ALCOR - I

CNC Controlled Profile Cutting Center (3 Axis)

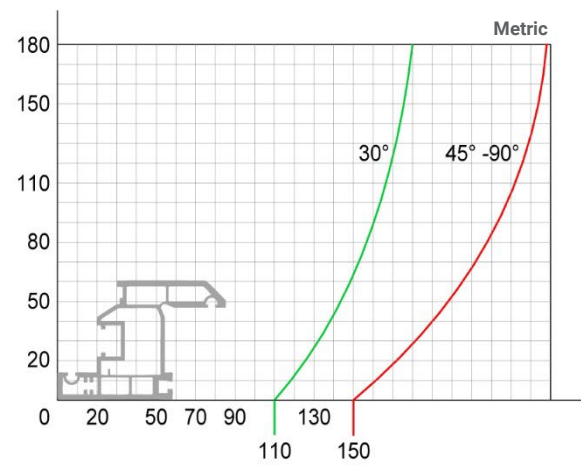
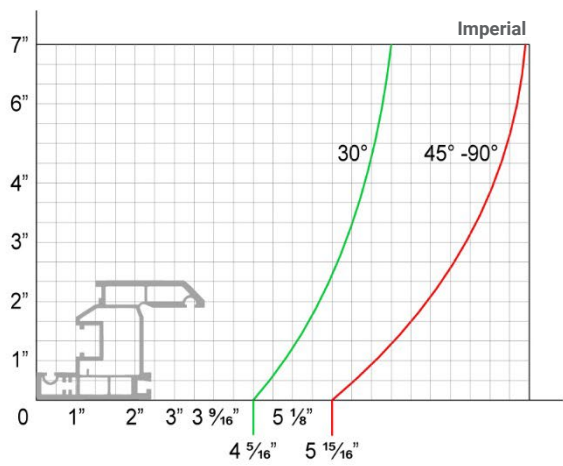


FEATURES

The 3-axis CNC cutting center ALCOR - I is designed to cut profiles made of aluminum, PVC / Vinyl and all kinds of light alloy profiles. The cutting unit with a 22" diameter saw blade for cutting at every angle between 30° and 150° offers a wide cutting range to users.

Thanks to the feeding capacity of 10 profiles, the conveyor structure enables batch processing, letting the machine to be used in the most efficient manner.

Cutting Diagrams



The product data, descriptions and illustrations are shown for advertising purpose in this document and Oz Machine, reserves the right to make modifications or improvements on data, descriptions and illustrations on this document without prior notice.

MACHINING LENGTHS

TZ Axis (Cutting unit vertical movement)	7 ⁷ / ₈ " (200mm)
TA Axis (Cutting unit rotation)	122°
SR Axis (Drive robot)	291" (7390mm)
GrY Axis (Gripper lateral)	4 ⁵ / ₈ " (117mm)
GrZ Axis (Gripper vertical)	4 ¹ / ₂ " (115mm)

POSITIONING SPEED

TZ Axis (Cutting unit vertical movement)	1260" (32m)/min
TA Axis (Cutting unit rotation)	120°/sn
SR Axis (Drive robot)	4330" (110m)/min

CUTTING UNIT

Cutting angles span	30° / 150°
Saw blade diameter	21 ⁵ / ₈ " (550mm)
Max. profile cutting dimensions at 90° (width / height)	5 ¹⁵ / ₁₆ " (150mm) / 7 ¹ / ₁₆ " (180mm)
Saw blade motor power	3kW - 4HP

LOADING AND UNLOADING UNIT

Minimum profile loading length	27 9/16" (700mm)
Maximum profile loading length	256" (6500mm)
Minimum profile unloading length	10.63" (270mm)
Profile loading capacity	7
Automatic chip discharge conveyor unit	•

GRIPPER AXES TRAVEL

GrY Axis (Lateral) min. / max.	¹³ / ₁₆ " (20mm) / 4 ¹ / ₂ " (115mm)
GrZ Axis (Vertical) min. / max.	¹³ / ₁₆ " (20mm) / 4 ⁵ / ₈ " (117mm)

CONTROL UNIT

Industrial PC - Touchscreen	15"
Remote access	•
Data transfer via Ethernet and USB	•
Barcode writer	○
Compatible with optimized cutting list data	•

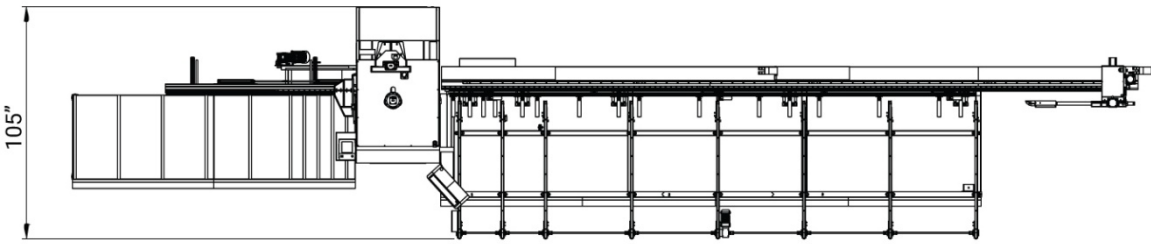
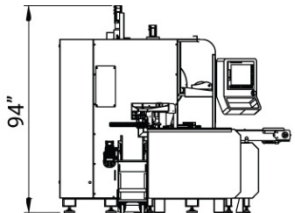
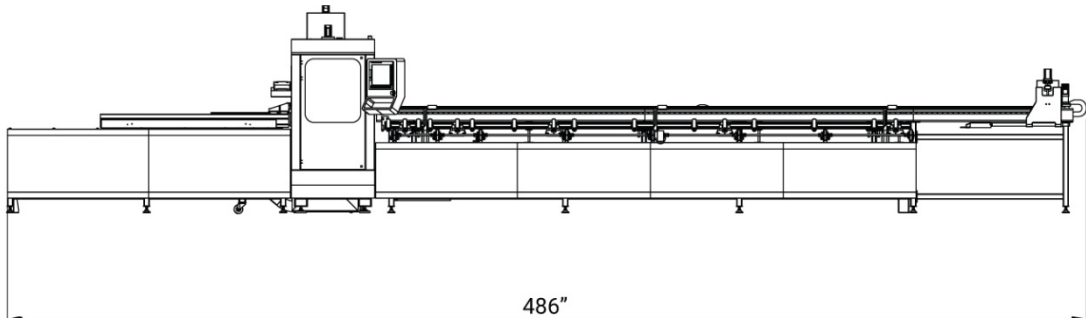
OPERATIONAL AREA

Automatic clamp positioning on X-axis	•
Automatic lubrication in processing area	•
Guard cabin for cutting area	•

The product data, descriptions and illustrations are shown for advertising purpose in this document and Oz Machine, reserves the right to make modifications or improvements on data, descriptions and illustrations on this document without prior notice.

ALCOR - I

CNC Controlled Profile Cutting Center (3 Axis)



The product data, descriptions and illustrations are shown for advertising purpose in this document and Oz Machine, reserves the right to make modifications or improvements on data, descriptions and illustrations on this document without prior notice.